

SUSCOM

GAS CYLINDERS

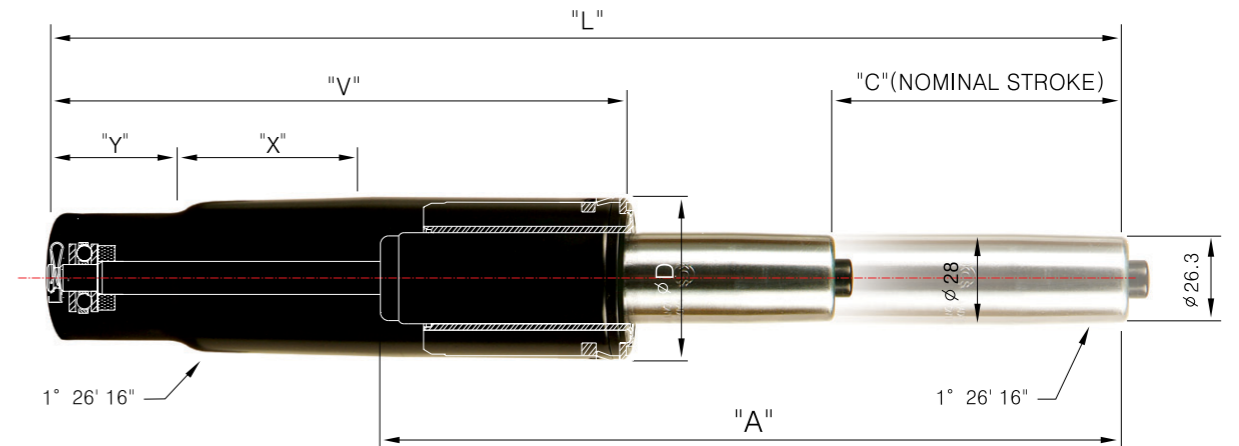
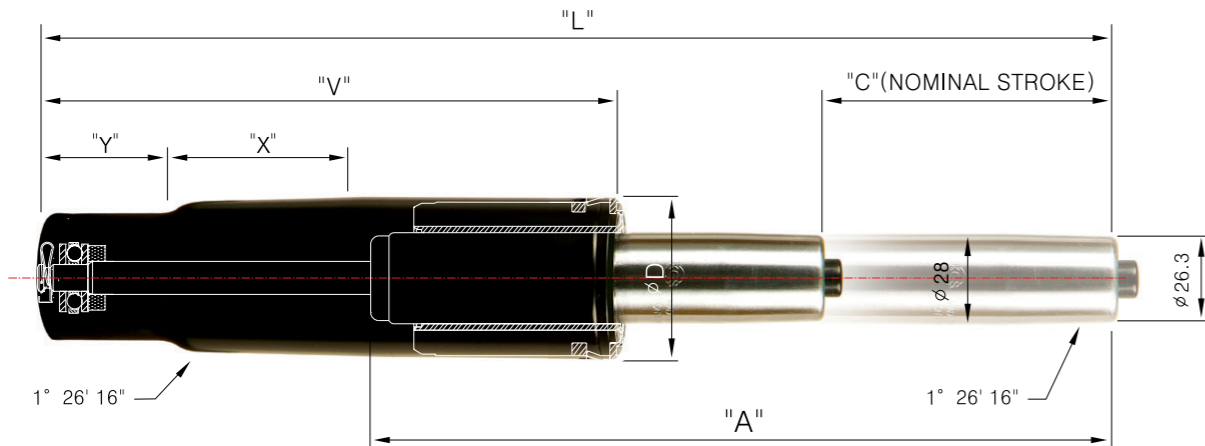


CYLINDER WITH COLUMN

Development of new technology that leads the 21st century!

CYLINDER WITH COLUMN

Development of new technology that leads the 21st century!



Available Sizes (in mm)

• Stroke 60~100

STROKE	L	C	V	D	X	Y	A	
60	A	262	52	165	50	60	0	185
	B	262	52	167	50	58	17	185
	C	262	52	167	50	58	43	185
	D	262	52	150	50	65	0	185
	E	262	52	150	50	58	17	185
80	A	287	72	170	50	58	14	190
	B	306	72	185	50	60	0	209
	C	306	72	187	50	58	17	209
	D	306	72	187	50	58	43	209
	E	306	72	168	50	58	0	209
100	F	306	72	170	50	58	17	209
	A	349	92	200	50	58	37	232
	B	349	92	200	50	58	14	232
	C	349	92	197	50	58	0	232
	D	349	92	185	50	60	0	232
	E	349	92	197	50	58	17	232
	F	349	92	197	50	65	0	232
G	349	92	200	50	58	27	232	

• Stroke 100~116

STROKE	L	C	V	D	X	Y	A	
100	H	349	92	195	50	60	0	232
	I	349	92	197	50	58	43	232
	J	349	92	185	50	70	0	232
	K	369	92	197	50	58	17	252
	L	359	92	195	50	58	30	242
	M	359	92	185	50	58	37	242
108	N	326	92	185	50	58	27	209
	A	357	100	217	50	101	0	232
	B	355	100	185	50	70	0	230
	C	350	100	197	50	65	0	225
	D	355	100	195	50	70	0	230
116	E	352	100	200	50	58	27	227
	A	356	108	203	50	58	41.5	223
	B	385	108	215	50	70	0	252
	C	385	108	215	50	58	43	252
	D	365	108	200	50	58	14	232
E	380	108	217	50	58	17	247	

• Stroke 120~140

STROKE	L	C	V	D	X	Y	A	
120	A	384	112	215	50	70	0	247
	B	384	112	215	50	58	17	247
	C	396	112	232	50	58	30	259
	D	384	112	215	50	58	48	247
	E	379	112	197	50	65	0	242
	F	384	112	228	50	58	43	247
125	A	394	117	217	50	58	17	252
	B	394	117	215	50	65	0	252
	C	394	117	217	50	58	43	252
	D	394	117	215	50	60	0	252
128	E	394	117	215	50	58	17	252
	F	394	117	215	50	58	43	252
	A	397	120	230	50	70	0	252
133	B	433	125	245	50	58	14	283
	C	433	125	245	50	58	43	283
140	A	427	132	230	50	58	17	270
	B	416	132	235	50	58	22	259

• Stroke 143~270

STROKE	L	C	V	D	X	Y	A	
143	A	410	135	225	40	48	0	252
	B	443	135	235	40	65	0	283
	C	412	135	230	50	65	0	252
	D	412	135	236	50	52	0	252
	E	412	135	230	50	49	0	252
160	A	471	152	250	50	60	0	294
	B	483	152	250	50	60	0	306
	C	469	152	255	40	50	0	292
170	A	491	162	280	50	44	0	304
	A	574	192	313	50	58	17	357
200	B	535	192	290	50	58	22	318
	A	565	202	318	50	58	17	338
210	B	565	202	318	50	65	0	338
	C	550	202	300	50	58	27	323
	D	612	202	340	40	48	0	387
270	A	693	262	375	50	58	0	406
	B	693	262	375	50	58	43	406

Available Sizes (in mm)

EFFECTIVE STROKE:
C+3mm WITH 75kgf
▶ F1 : 150N~450N

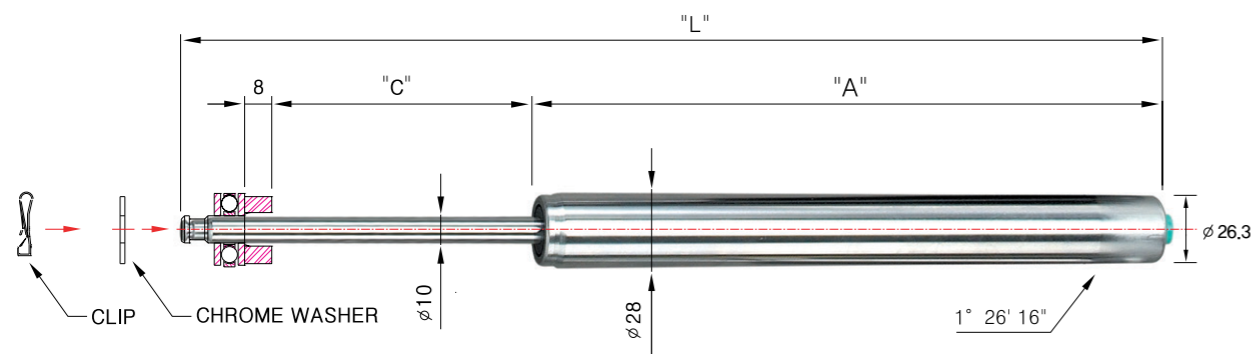
- Meets all worldwide standards
- ANSI/BIFMA
- EN1335
- DIN 4550 Class III & IV

- Meets all worldwide standards
- ANSI/BIFMA
- EN1335
- DIN 4550 Class III & IV

EFFECTIVE STROKE:
C+3mm WITH 75kgf
▶ F1 : 150N~450N

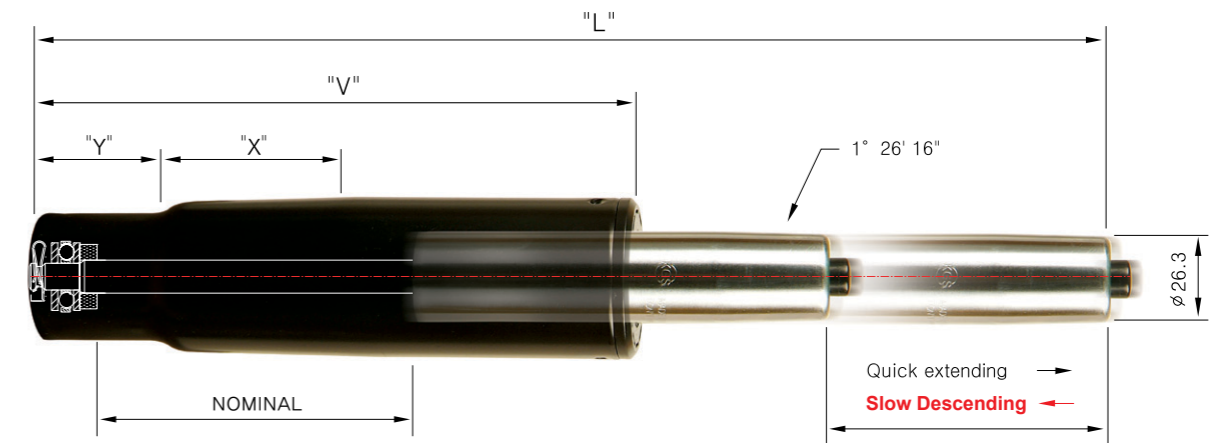
CYLINDER WITHOUT COLUMN

Development of new technology that leads the 21st century!



SOFT DESCENT CYLINDER

Development of new technology that leads the 21st century!



Available Sizes (in mm)

• Stroke 60~108

STROKE	L	A	C
60	A 260.8	185	52
73	A 273.8	185	65
80	A 304.8	209	72
	B 285.8	190	72
	C 304.8	209	72
	D 313.8	218	72
93	A 323.8	215	85
100	A 347.8	232	92
	B 342.8	227	92
	C 328.8	213	92
	D 362.8	247	92
	E 324.8	209	92
108	A 348.8	225	100
	B 355.8	232	100
	C 353.8	230	100

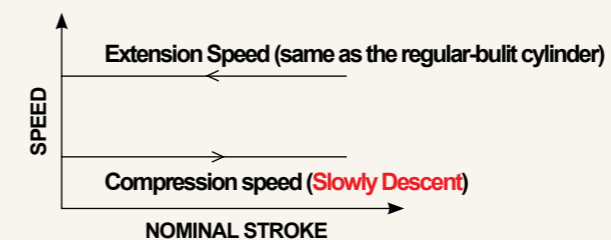
• Stroke 180~140

STROKE	L	A	C
108	D 350.8	227	100
116	A 354.8	223	108
	B 383.8	252	108
	C 378.8	247	108
120	A 382.8	247	112
	B 394.8	259	112
125	A 392.8	252	117
	B 982.8	242	117
128	A 395.8	252	120
	B 388.8	245	120
133	A 431.8	283	125
140	A 425.8	270	132
	B 414.8	259	132
143	A 410.8	252	135
	B 441.2	283	135

• Stroke 143~270

STROKE	L	A	C
143	C 419.8	261	135
	D 432.8	274	135
	E 417.8	259	135
160	A 469.8	294	152
	B 481.8	306	152
170	A 489.8	304	162
200	A 572.8	357	192
	B 533.8	318	192
210	A 563.8	338	202
	B 488.8	323	202
	C 685.8	462	202
	D 610.8	387	202
270	A 691.8	406	262
	B 491.8	406	262
	C 703.8	418	262

SOFT DESCENT FORCE DIAGRAM



- Applicable for all the existing cylinders with the same sizes but soft descent provided all the time
- Dimensions and F1 force are changeable to comply with buyer's request
- F1 force : 200N ~ 400N

Available Sizes (in mm)

- Very slowly descending by speed control guide all the time, while the extension is the same speed as the regular-built cylinder
- The height of chair is minutely adjustable

Feature

- Office chair
- Sensitive chair requiring slow descent
- Executive chair

Application

- International test standards required
- Any customer's test requirements

Test Methods

- No shock impact by special gas system during compression all the time, while quick extension.
- Very little noise during compression

Advantages

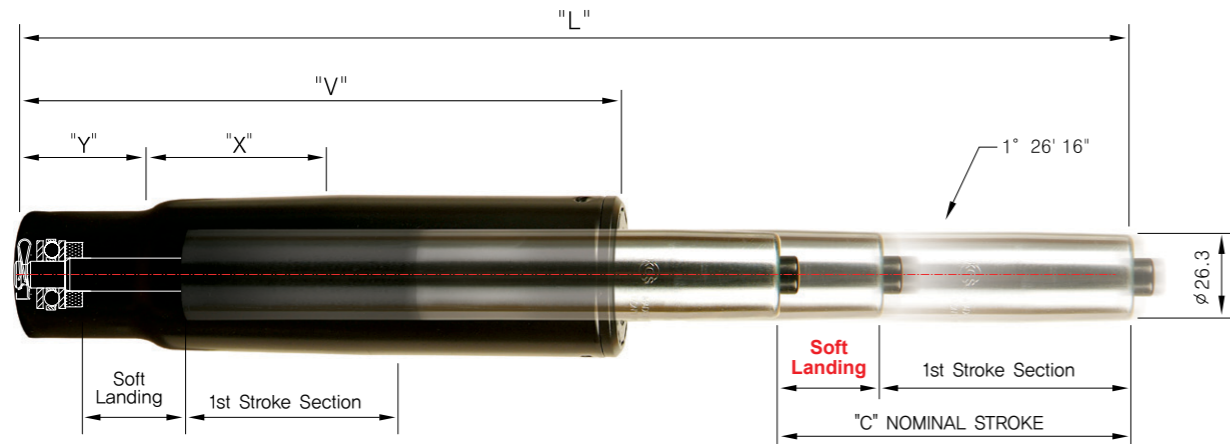
EFFECTIVE STROKE:

C+3mm WITH 75kgf
▶ F1 : 150N~450N

- Meets all worldwide standards
 - ANSI/BIFMA
 - EN1335
 - DIN 4550 Class III & IV

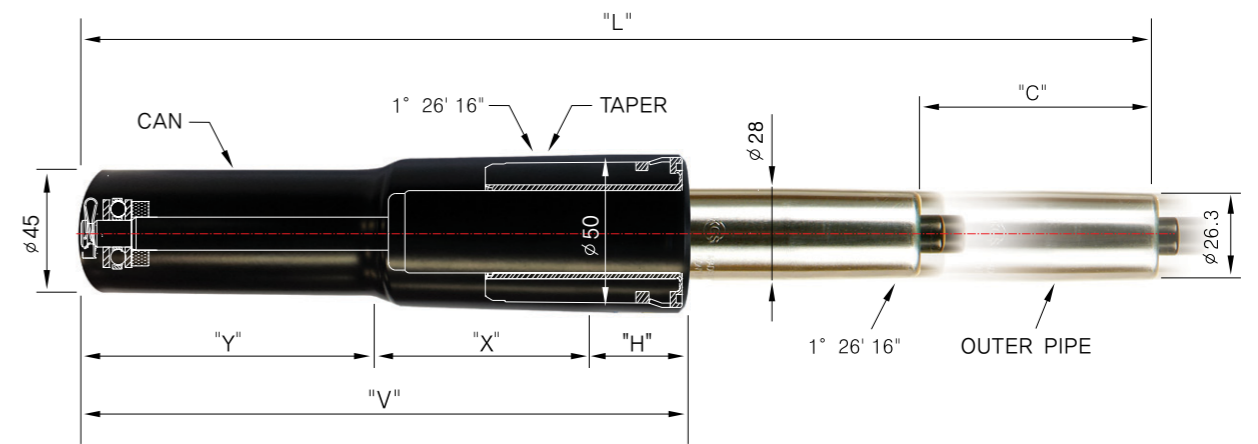
SOFT LANDING CYLINDER

Development of new technology that leads the 21st century!



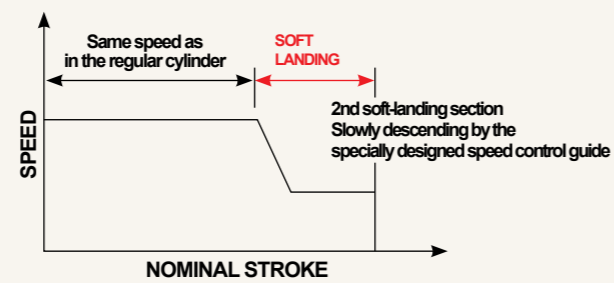
HIGH-CONE CYLINDER

Development of new technology that leads the 21st century!



Available Sizes (in mm)

SOFT LANDING FORCE DIAGRAM



- Applicable for all the existing cylinders with the same sizes but soft-landing provided at the lowest position
- Dimensions and F1 force are changeable to comply with buyer's request
- F1 force : 200N ~ 400N

MODEL NO.	L	C	V	X+Y	H
KGD□080-50□□1	297	72	165	155	10
KGD□100-50□□1	330	92	186	156	30
KGD□100-50□□2	349	92	195	176	19

- Dimensions and F1 force are changeable to comply with buyer's request
- F1 force : 200N ~ 400N
- H & V dimensions are changeable as per the base design

Available Sizes (in mm)

Feature

- Very soft landing by special speed control guide at the lowest position
- Comfortable cushion work provided by gas in itself instead of conventional rubber bumper

Feature

- Unique design of high cone for the lofty spider bases
- Taper to be extended up to the top bushing of the column
- Duplicated columns for superior strength and back-pull forces

Application

- Office chair
- Sensitive chair at any shock impacts

- Office chair
- Executive office chair with lofty spider base

- Unique chair with the same height of the bushing and base top

Application

Test Methods

- International test standards required
- Any customer's test requirements

- International test standards required
- Any customer's test requirements

Test Methods

Advantages

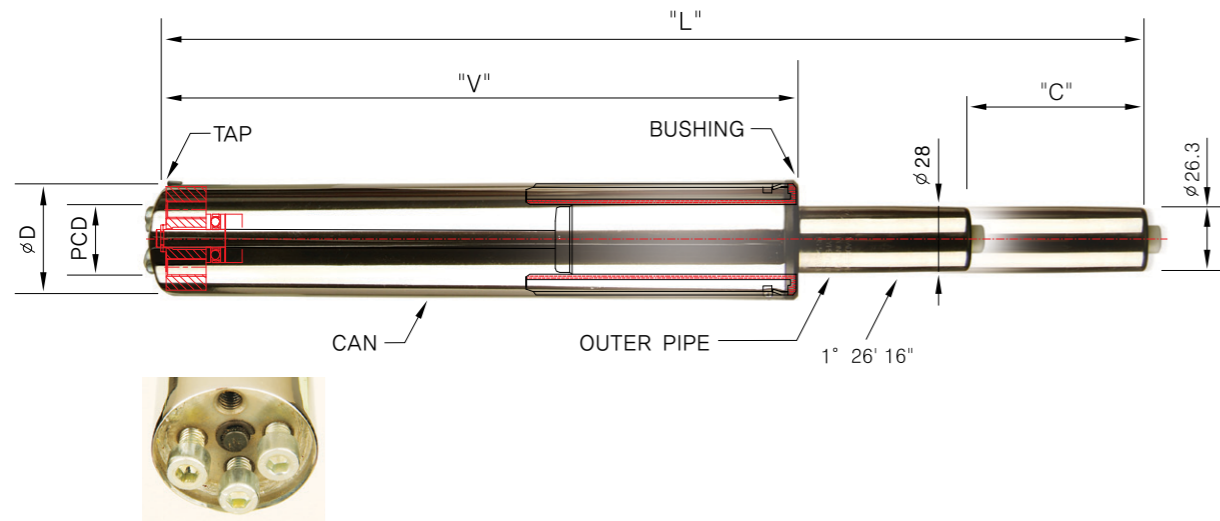
- No shock impact at the lowest position
- Very soft landing at the lowest position from about 20mm ~ 35mm at the bottom end

- Additionally tapered steel tube welded on the column provides a capability for superior back-pull durability
- The taper to be extended up to the top bushing but preventing the bushing from coming off

Advantages

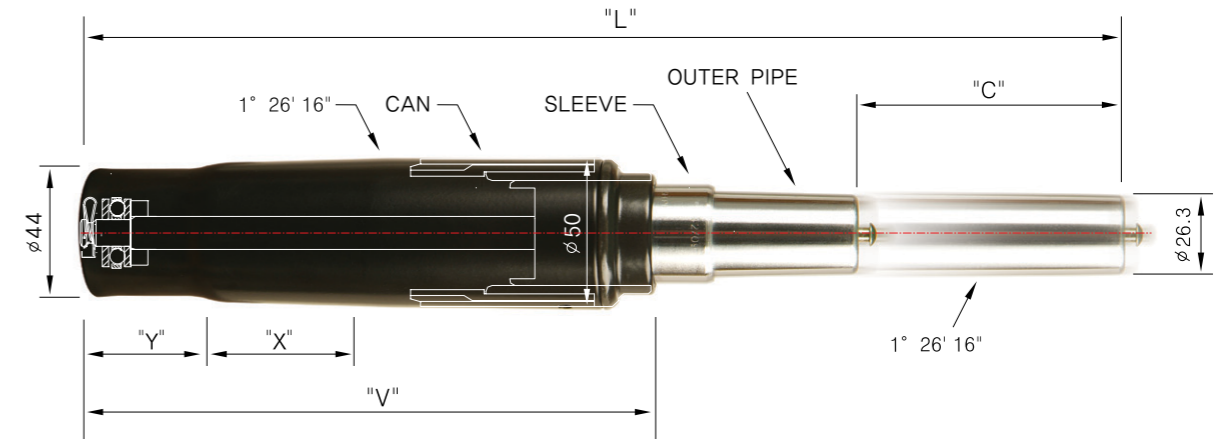
FIXED CYLINDER

Development of new technology that leads the 21st century!



TWO STAGE CYLINDER

Development of new technology that leads the 21st century!



Available Sizes (in mm)

MODEL NO.	L	C	V	øD	PCD	TAP
KGF□210-50□□□1	663	202	405	ø50	26	4-M8
KGF□270-50□□□1	719	262	405	ø50	26	3-M8
KGF□210-40□□□1	719	262	405	ø40	21	3-M8

- Dimensions and F1 force are changeable to comply with buyer's request
- F1 force : 200N ~ 400N

Available Sizes (in mm)

MODEL NO.	L	C	V	X	Y
KGT5128-□□□□□1	358	124	177	58	43
KGT5147-□□□□□1	390	143	191	58	43
KGT5165-□□□□□1	436	161	218	58	37

- Dimensions and F1 force are changeable to comply with buyer's request
- F1 force : 150N ~ 450N

Feature

- No tapers on the column
- The column with the threaded holes on its bottom to be fixed it to the base
- To be used for a high stroke chair by fixing it to the base

Feature

- Extended range of strokes by using the same size of normal standpipe
- Available height adjustments in a wider range for normal and big chairs
- Excellent appearance and superior strength

Application

- Conference chair
- Fixed bar chair
- Visitors' chair at bank or office

Application

- Executive office chair and luxury chair
- Specially designed chair by increasing the strength

Test Methods

- International test standards required
- Any customer's test requirements

Test Methods

- International test standards required
- Any customer's test requirements

Advantages

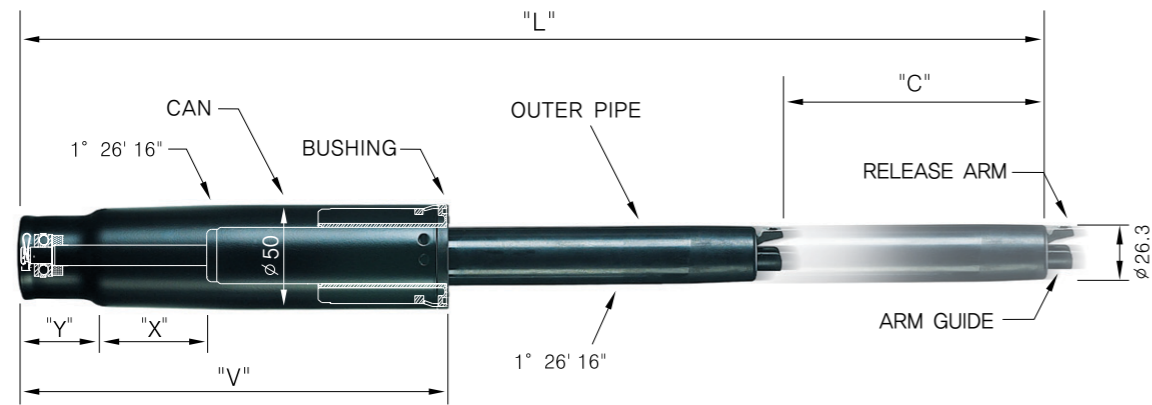
- Very little noise when operating up and down
- The chair to be fixed on the base without movement
- Excellent reliability and strength guaranteed by intensified test procedures

Advantages

- Smooth operating up and down without noise
- A special sleeve bushing with coating for long time use
- Very little wobble

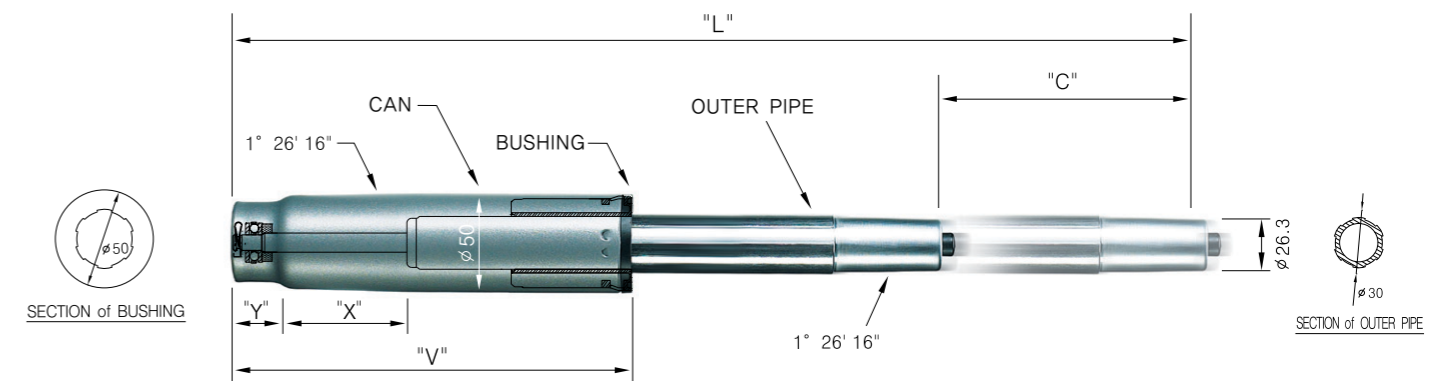
CABLE CYLINDER

Development of new technology that leads the 21st century!



NON-ROTATIONAL CYLINDER

Development of new technology that leads the 21st century!



Available Sizes (in mm)

MODEL NO.	L	C	V	X	Y
KGC4104-□□□□□	335	96	180	58	32
KGC4120-□□□□□	369	112	203	58	36
KGC3143-□□□□□	412	135	230	65	0
KGC3210-□□□□□	565	202	318	58	17
KGC3270-□□□□□	693	262	375	58	0

- Dimensions and F1 force are changeable to comply with buyer's request
- F1 force : 150N ~ 450N

Available Sizes (in mm)

MODEL NO.	L	C	V	X	Y
KGN3080-□□□□□	306	72	185	58	17
KGN3100-□□□□□	347	92	197	58	17
KGN3143-□□□□□	420	135	237	58	17
KGN3210-□□□□□	565	202	318	58	43
KGN3270-□□□□□	693	262	375	58	43

- Dimensions and F1 force are changeable to comply with buyer's request
- F1 force : 150N ~ 450N

Feature

- Used for operation up and down by a cable module enabling actuation of the cylinder

Feature

- Type 1 : Not rotating along steel pipe with groove but operating vertically
- Type 2 : Not rotating but operating vertically and the height adjustable when seated and returning the seat automatically to the original height without operating the valve

Application

- Office Chair

Application

- Table and chair

Test Methods

- International test standards required
- Any customer's test requirements

Test Methods

- International test standards required
- Any customer's test requirements

Advantages

- Smooth operation up and down by rolling a ball bearing when the release arm opened
- Low button force required to actuate

Advantages

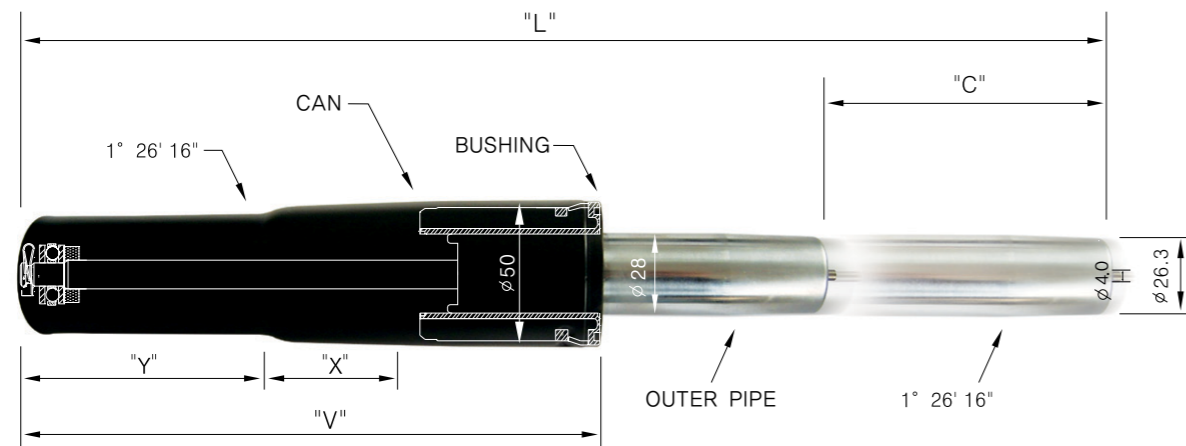
- Operating up and down very smoothly without noise
- Special steel tube with groove in a single structure

ALPHA CYLINDER

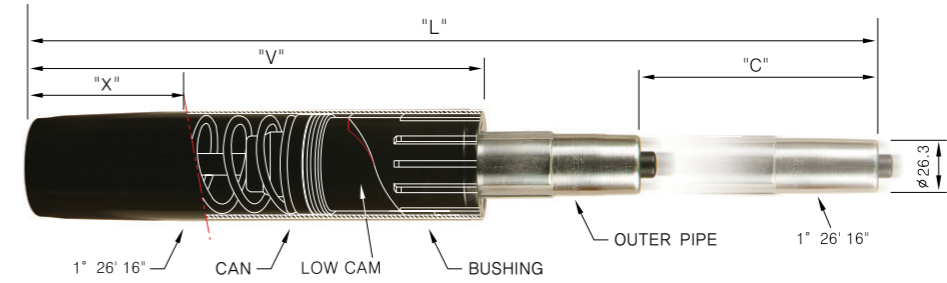
Development of new technology that leads the 21st century!

AUTO RETURN AUTO LIFT CYLINDER

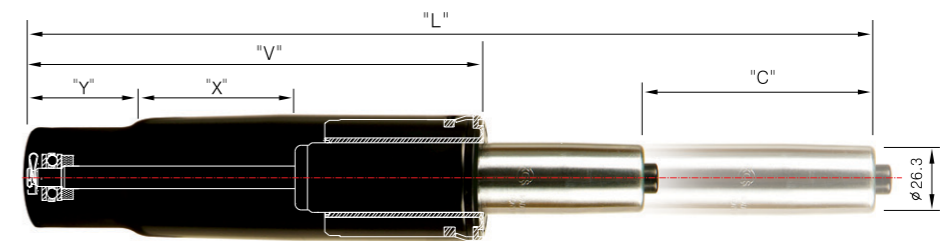
Development of new technology that leads the 21st century!



Type A
Outer-cam



Type B
Inner-cam



Available Sizes (in mm)

MODEL NO.	L	C	V	X	Y
KGT3100-□□□□□□	305	96	167	58	17
KGT3146-□□□□□□	400	142	215	58	43
KGT3160-□□□□□□	421	156	220	58	17

- Dimensions and F1 force are changeable to comply with buyer's request
- F1 force : 150N ~ 450N

TYPE A	L	V	C	X
KGR3080-□□□□□□	327	205	72	65
KGR3100-□□□□□□	369	225	92	65
KGR3143-□□□□□□	412	250	117	65
KGR3210-□□□□□□	451	265	132	65
KGR3270-□□□□□□	489	285	152	65

TYPE B	L	C	V	X	Y
KGR1077-□□□□□□	351	69	220	58	22
KGR1105-□□□□□□	399	97	250	58	22
KGR1145-□□□□□□	511	137	300	58	22

- Dimensions and F1 force are changeable to comply with buyer's request
- F1 force : 200N ~ 450N

Available Sizes (in mm)

Feature

- The Alpha cylinder has the same size with any other regular cylinders but its strokes can be larger
- Applicable to various types of chairs

- The auto-return, auto-lift cylinder swivels 360 degree in both directions, height adjustable when seated and returning the seat automatically to the original position when vacated
- The direction and height of the chair are the same all the time when vacated
- Type A: Outer Cam, Type B: Inner Cam

Feature

Application

- Office and luxury chair
- Special chair expanding lower seat position

- Type A & B in common
 - Bar stools
 - Gameroom chairs
- Conference chairs
- Any specific chairs requiring a line-up
- Type B : Light chair (weight less than 12 kgs)

Application

Test Methods

- International test standards required
- Any customer's test requirements

- International test standards required
- Any customer's test requirements

Test Methods

Advantages

- With the insert bushing optionally applied, the fully compressed height of the chair can be minimized in its structure and design. And, the Back-pull strength is high enough
- Extended adjustment range available at the lowest seat position

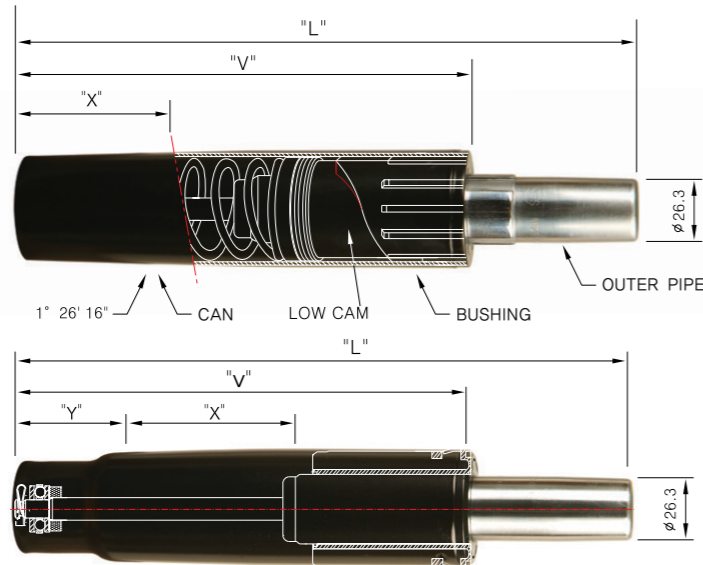
- Smooth rotation without noise
- Comfort and maximized efficiency of the chair
- No need of additional fixture for a joint as the single outer pipe with cylinder in solid steel material

Advantages

RETURN SPINDLE

Development of new technology that leads the 21st century!

Type A
Outer-cam

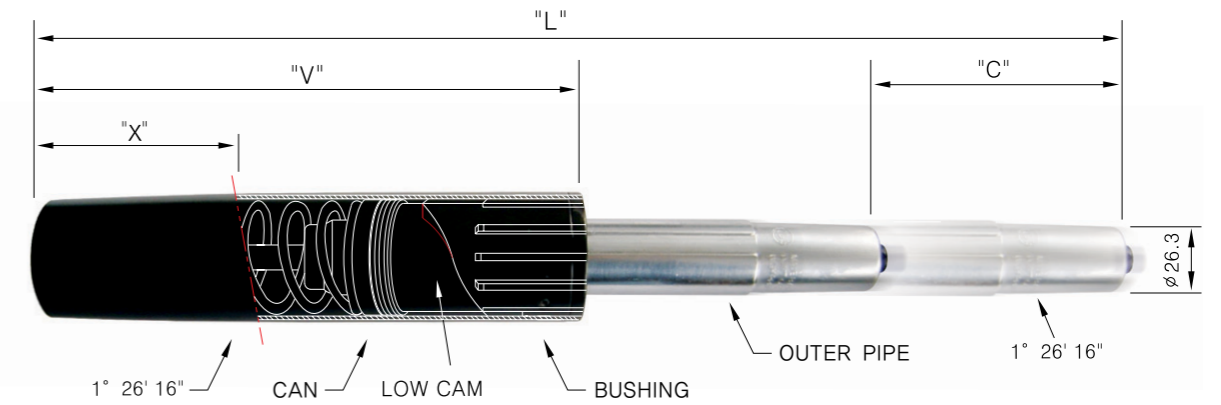


Type B
Inner-cam



AUTO RETURN HEIGHT ADJUSTABLE CYLINDER

Development of new technology that leads the 21st century!



Available Sizes (in mm)

TYPE A	L	V	X	Y
KGR4047-□□□□1	254	182	65	0
KGR4047-□□□□2	302	225	65	0
KGR4047-□□□□3	327	250	65	0
KGR4047-□□□□4	350	285	65	0

TYPE B	L	C	V	X	Y
KGR0027-□□□□1	244	0	175	58	22
KGR0105-□□□□1	434	0	360	58	22

• Dimensions are changeable to comply with buyer's request

MODEL NO.	L	C	V	X
KGR2080-□□□□1	329	72	205	65
KGR2100-□□□□1	369	92	225	65
KGR2125-□□□□1	412	117	250	65
KGR2140-□□□□1	451	132	265	65
KGR2160-□□□□1	489	152	285	65

• Dimensions and F1 force are changeable to comply with buyer's request
 • F1 force : 200N ~ 450N

Available Sizes (in mm)

Feature

- The return spindle is not a height-adjustable cylinder but swivels 360 degree in both directions when seated and returning the seat automatically to the original position when vacated
- Type A : Outer Cam , Type B : Inner Cam

- The auto-return height adjustable cylinder swivels 360 degree in both directions, height adjustable when seated and returning the seat automatically to the original direction but height remains unchanged when vacated

Feature

Application

- Type A & B in common
- Bar stools / Gameroom chairs / Conference chairs
- Type B : Light chair (weight less than 12 kgs)

- Bar stools
- Gameroom chairs
- Conference chairs
- Any specific chairs requiring a line-up

Application

Test Methods

- International test standards required
- Any customer's test requirements

- International test standards required
- Any customer's test requirements

Test Methods

Advantages

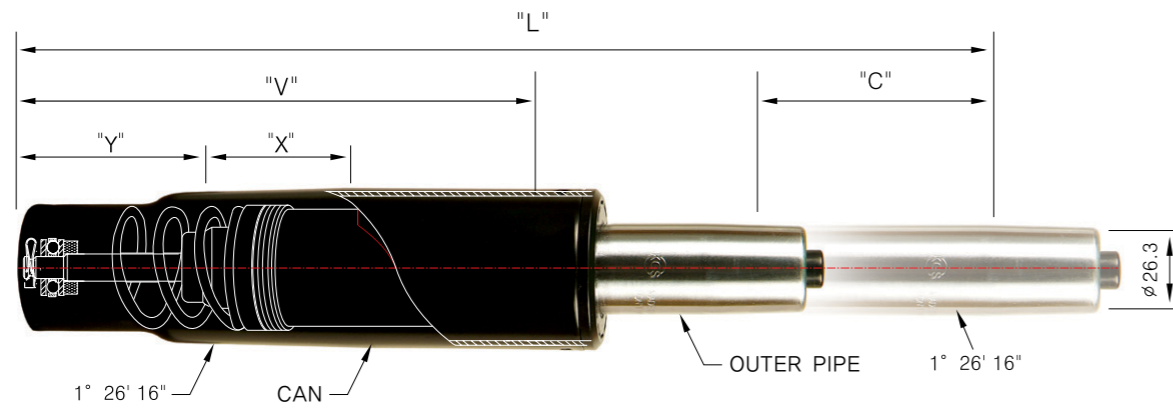
- Smooth rotation without noise
- Comfort and maximized efficiency of the chair

- Smooth rotation without noise
- Comfort and maximized efficiency of the chair
- No need of additional fixture for a joint as the single outer pipe with cylinder in solid steel material

Advantages

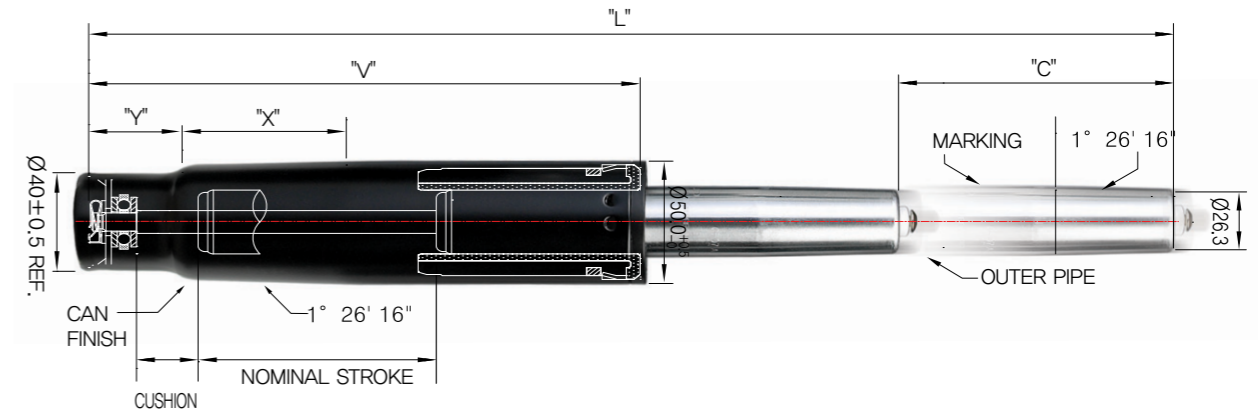
SOFT CUSHION CYLINDER

Development of new technology that leads the 21st century!



GAS CUSHION CYLINDER

Development of new technology that leads the 21st century!

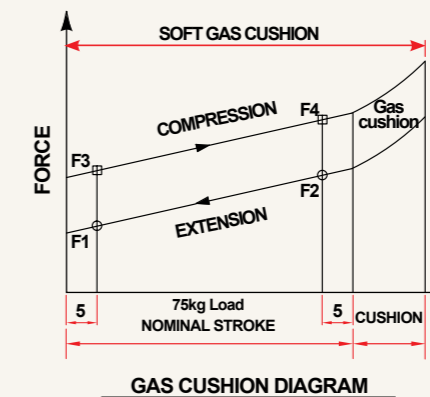


Available Sizes (in mm)

MODEL NO.	L	C	V	X	Y
KGE3088-□□□□□	328	80	190	58	57
KGE3120-□□□□□	384	112	210	58	27

- Dimensions and F1 force are changeable to comply with buyer's request
- F1 force : 150N ~ 450N

- Dimensions and F1 force are changeable to comply with buyer's request
- F1 force : 150N ~ 450N



Available Sizes (in mm)

Feature

- Soft cushion provided at lowest position
- Comfortable cushion provided all the time by using a special coil spring
- Excellent appearance

- Soft cushion provided at lowest position by means of gas
- Very comfortable soft cushion provided all the time at any position by using a unique special gas system

Feature

Application

- Sensitive chair at shock impact
- Specially designed comfortable soft chair at any position

- Sensitive chair at shock impact
- Office and luxury chair

- Specially designed comfortable chair at any position

Application

Test Methods

- International test standards required
- Any customer's test requirements

- International test standards required

Test Methods

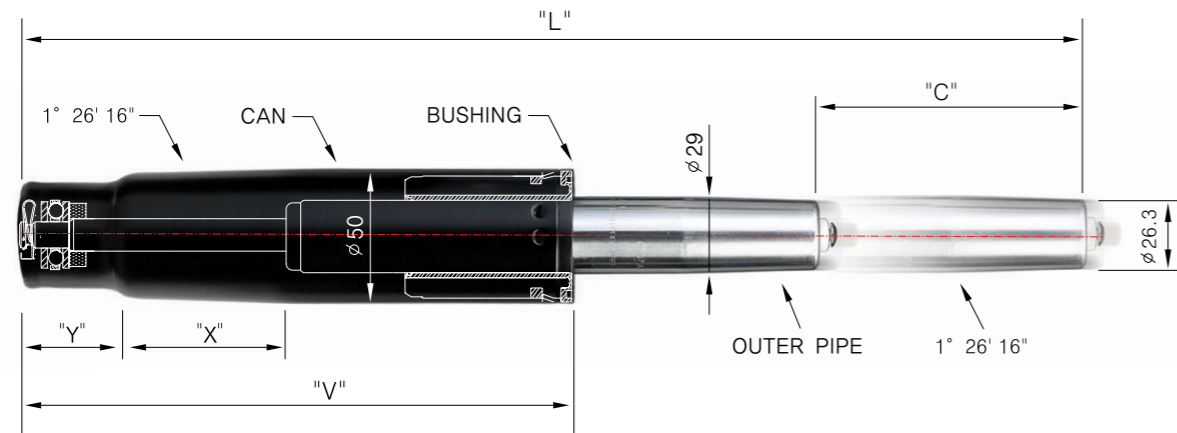
Advantages

- Soft and comfortable cushion provided all the time when seated by a specially designed coil spring

- Intensity of cushion is changeable according to F1 force, depending on the user's weight or type of chair
- No breakable cushion rubber is necessary

Advantages

HEAVY DUTY CYLINDER



Available Sizes (in mm)

MODEL NO.	L	C	V	X	Y
KGH5114-□□□□□	356	106	205	58	36
KGH5124-□□□□□	393	116	225	58	36
KGH5143-□□□□□	420	135	232	58	30
KGH5150-□□□□□	437	142	240	58	57

- Dimensions and F1 force are changeable to comply with buyer's request
- F1 force : 150N ~ 500N

Feature

- Specially designed chair with intensified sealing system and steel pipe
- Two optional button operation forces available with 12Kgf and 4Kgf

Application

- Heavy duty chair for high intensive use for 24 hours a day, 7 days a week

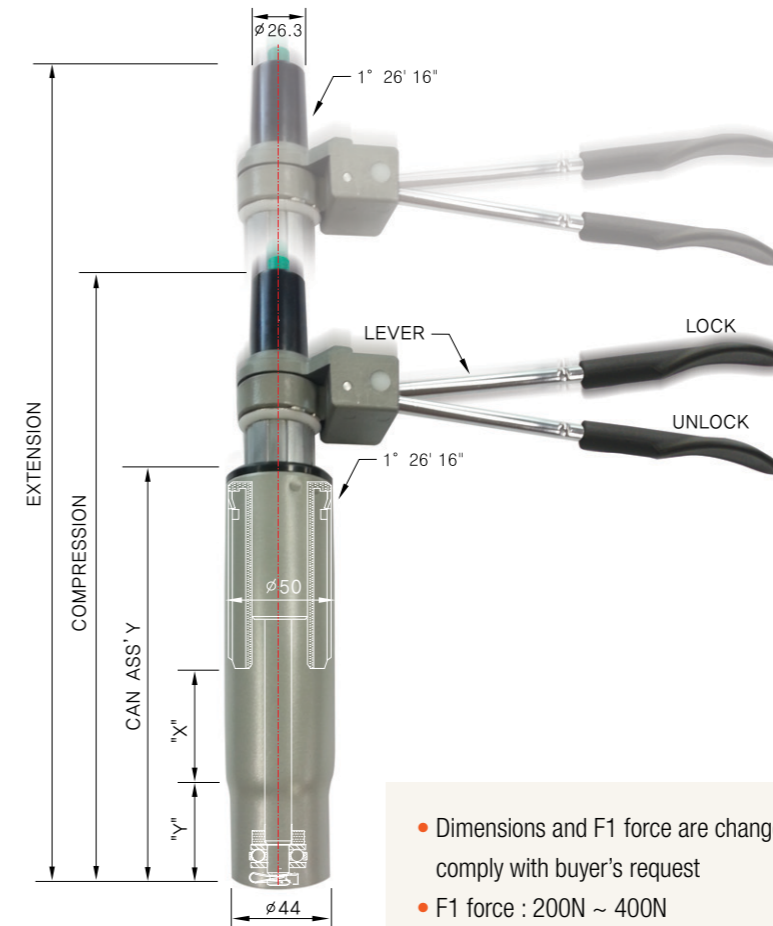
Test Methods

- International test standards required
- Any customer's test requirements
- Heavy Duty Test standards (double-intensified tests required rather than those of ANSI/BIFMA test standards)

Advantages

- Superior strength for high impact by using a double-sealing system and thick steel pipe
- Specially designed chair for heavy duty or multi-shift

SWITCHOVER CYLINDER



- Dimensions and F1 force are changeable to comply with buyer's request
- F1 force : 200N ~ 400N

Available Sizes (in mm)

Feature

- Provide rotation and/or non-rotation works by changing the lever from lock to unlock position to comply with the user's option.
- Unlock : Rotation and height adjustment works available when pushing the lever down.
- Lock : Not rotating but height adjustment works available when pushing the lever up. (torque 30Nm)

Application

- Applicable to the various types of chair.
- Specially designed chairs for student requiring any concentration or children requiring safety in intensified level.
- Any other special chair requiring rotation and / or non-rotation function.
- Office chair.

Test Methods

- Any customer's own test requirements.
- Applicable to the torque force with less than 30Nm

Advantages

- Very little noise at vertical activation.
- Easy to manipulate rotation or non-rotation works by lever.
- Torque will be adjustable as necessary. (Torque adjustable with less than 30Nm)

GAS SPRING

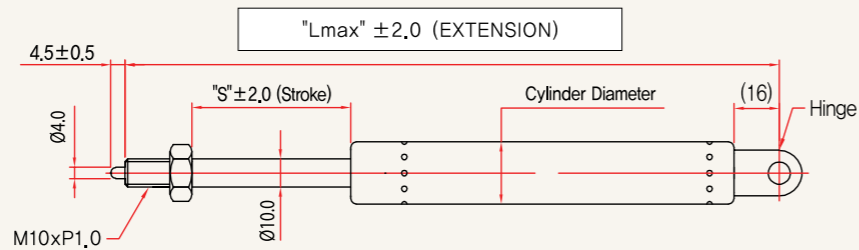
Development of new technology that leads the 21st century!

PRODUCTS

Development of new technology that leads the 21st century!



Characteristics of the product



- Gas Spring(lock type) can accommodate any continuous and variable shift to wherever the user wants and is suitable for parts which require strong power due to its higher locking force compared to typical gas cylinders. In addition, its low elasticity against alternating movement in contrast to its large locking power makes it perfect for adjusting table height or stopping to use an object at any point desired.

TYPE Available Sizes

• KGS5 TYPE Available Sizes

MODEL NO.	Cylinder Diameter (Ø28mm)		
	L max	S	F1 (Force Range)
KGS5020	170	20	200N~800N
KGS5040	220	40	200N~800N
KGS5060	260	60	200N~800N
KGS5080	310	80	200N~800N
KGS5100	360	100	200N~800N
KGS5120	400	120	200N~800N
KGS5150	470	150	200N~800N
KGS5180	540	180	200N~800N
KGS5200	580	200	200N~800N
KGS5250	700	250	200N~800N

• KGS3 TYPE Available Sizes

MODEL NO.	Cylinder Diameter (Ø22mm)		
	L max	S	F1 (Force Range)
KGS3020	170	20	200N~500N
KGS3040	220	40	200N~500N
KGS3060	270	60	200N~500N
KGS3080	320	80	200N~500N
KGS3100	370	100	200N~500N
KGS3120	420	120	200N~500N
KGS3150	490	150	200N~500N
KGS3180	560	180	200N~500N
KGS3200	610	200	200N~500N
KGS3250	730	250	200N~500N

- Dimensions and F1 force are changeable to comply with buyer's request
- Please contact us for further information

CYLINDER WITH COLUMN		Regular-built cylinder with column	CYLINDER WITHOUT COLUMN		Regular-built cylinder without column	SOFT DESCENT CYLINDER		Slowly descending at compression, but same extension speed as regular-built cylinder.
SOFT LANDING CYLINDER		Soft landing at 20~35mm from bottom end	HIGH-CONE CYLINDER		Used for the lofty spider bases	FIXED CYLINDER		Used for bar and visitor's chair by fixing to the bases with screw
TWO STAGE CYLINDER		Extended range of strokes by 35mm	CABLE CYLINDER		Used for operation up and down by a cable module	NON-ROTATIONAL CYLINDER		Not rotating but operating vertically
ALPHA CYLINDER		22mm longer stroke with the same sized regular-built cylinder	AUTO RETURN AUTO LIFT CYLINDER		Height adjustment and swivel available when seated and returns to original position when vacated	RETURN SPINDLE		Swivel when seated and memory return to original position when vacated
AUTO RETURN HEIGHT ADJUSTABLE CYLINDER		Height remains and return to the original direction when vacated	SOFT CUSHION CYLINDER		Very soft cushion by using a special coil spring	GAS CUSHION CYLINDER		Soft cushion provided by using a special device with gas
HEAVY DUTY CYLINDER		Used for Heavy-duty environment for 24 hours a day and 7 days a week	SWITCH OVER CYLINDER		Rotation and/or non-rotation optionally chosen to comply with user's need			



Suscom Industries Ltd.

Unit 8 Leopold Street | Lamberhead Ind. Estate
Pemberton | Wigan | WN5 8DH | United Kingdom

Web | www.suscom-ind.co.uk

Telephone | +44 (0)1942 221133

Email | sales@suscom-ind.co.uk

